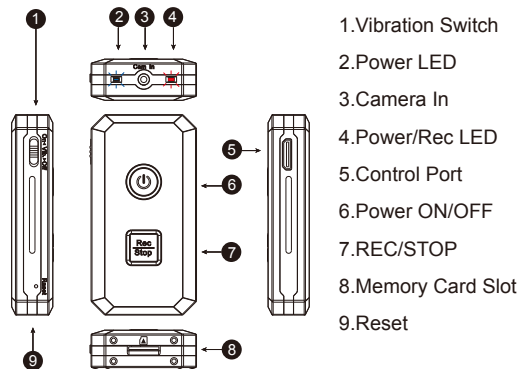
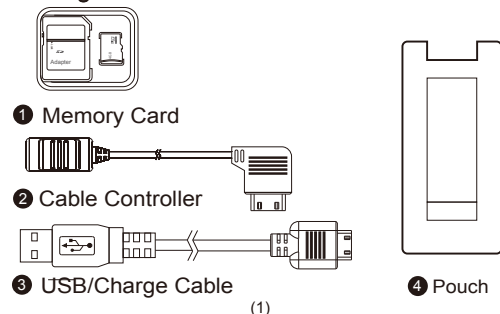


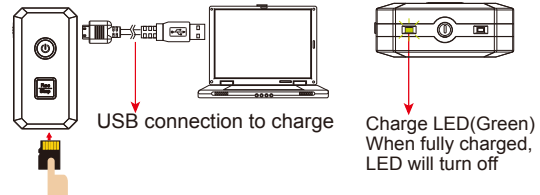
1. Names and Parts



2. Package Content

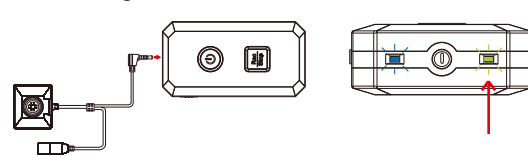


3. Charging



With the DVR powered off, connect USB cable to 5 and the other end of the cable to a computer. When the battery is fully charged, the device supports 100 minutes continuous recording. Please note that every video file is approximately 33minutes.(500MB)

4. Connecting to a Camera



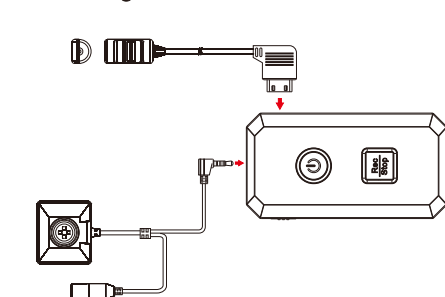
5. Retrieving Video File

1. With memory card inserted, connect the device to computer without turning it on by USB cable to establish connection.
2. After the connection is established, turn on DVR.
3. DVR is recognized as a "removable drive." User may move/copy files between "removable drive" and computer.

6. Date and time setting (for Windows computer)

1. Right-click on Windows desktop. Choose Notepad to create a *.txt (text) file. Then double-click the text file.
2. Suppose current time is October 16, 2012 15:00. Enter date and time information as 2012.10.16 15:00:00
Note that a space must be present in between date and hour and time is in 24-hour format.
3. Name the file as **settime.txt** and save it to the root directory of the memory card.
4. Insert the memory card to the slot then power on the device. The date and time setting is now completed.
5. Please note when the date and time information is successful set to the device the settime.txt file should not be visible when you connect the device to the computer again.

7. Connecting Cable Controller



- (4)

8. Operation

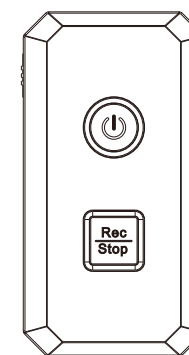
※ Please note, memory card needs to be formatted on the device for the unit to recognize it. Formating memory cards over PC is highly not recommended and may result in recording failure.

1. Sliding the vibration switch 1 to turn vibration mode on.
2. With DVR front side facing toward you and memory card golden contact area facing upward, insert the memory card in the slot 8.
3. To power on the DVR gently press 6 once. Blue LED turns on.
4. To record, press 7 once. LED 4 will shift from green to red. (Camera must be connected at this moment) In vibration mode, DVR will vibrate 3 times when recording starts.
5. To stop record, press 7 again. LED 4 turns to green.
6. Press 6 to turn off DVR. LED 2 turns off. In vibration mode, DVR will vibrate 5 times.

Note:The DVR will turn off automatically in 5 seconds if memory card is not placed.

(5)

PV-50 Matchbox Size DVR



Law Enforcement Products Manufacturer
LawMate®

V1.1