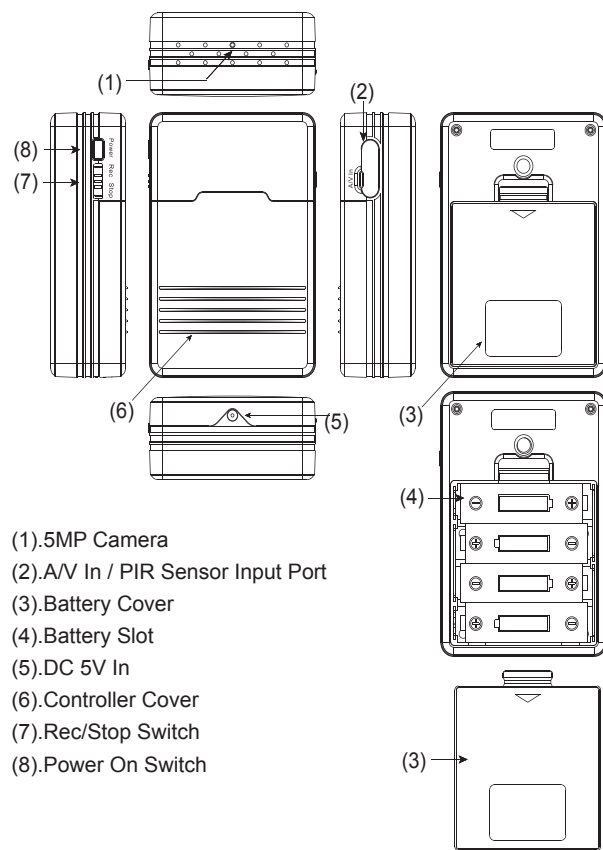
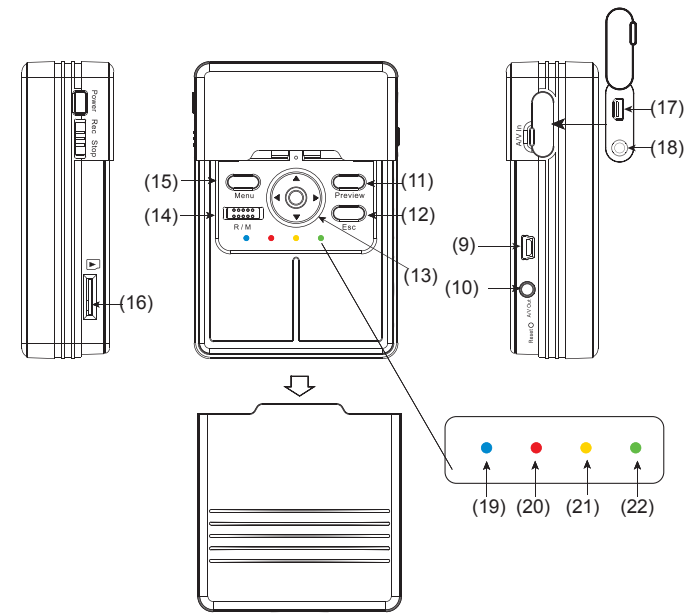


1. Names and Parts



- (1).5MP Camera
- (2).A/V In / PIR Sensor Input Port
- (3).Battery Cover
- (4).Battery Slot
- (5).DC 5V In
- (6).Controller Cover
- (7).Rec/Stop Switch
- (8).Power On Switch

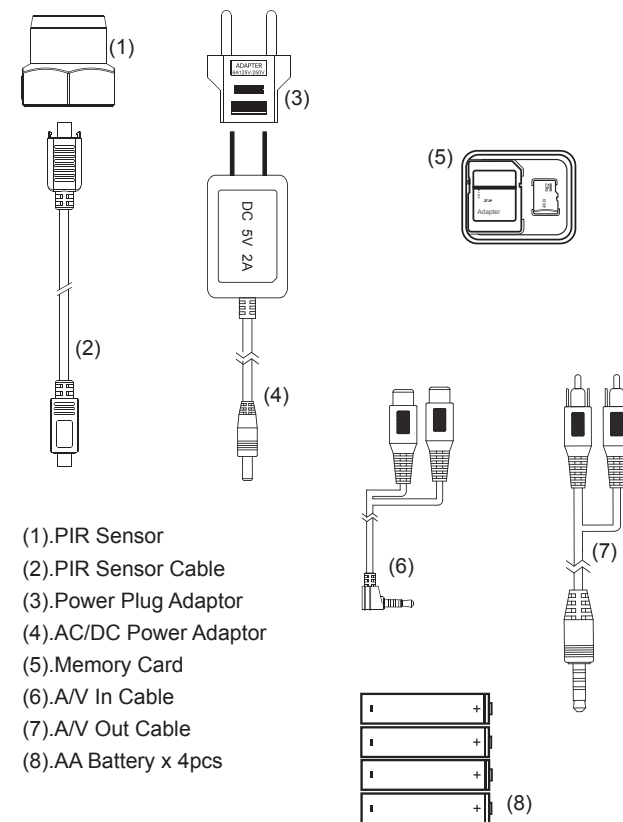
1



- (9).USB Port
- (10).A/V Out
- (11).Preview
- (12).Esc Button
- (13).Navigation Key
- (14).Recording Mode Switch
- (15).Menu
- (16).Memory Card Slot
- (17).PIR Sensor Input Port
- (18).A/V In
- (19).Power LED
- (20).Record LED
- (21).External Camera Input LED
- (22).PIR Input LED

2

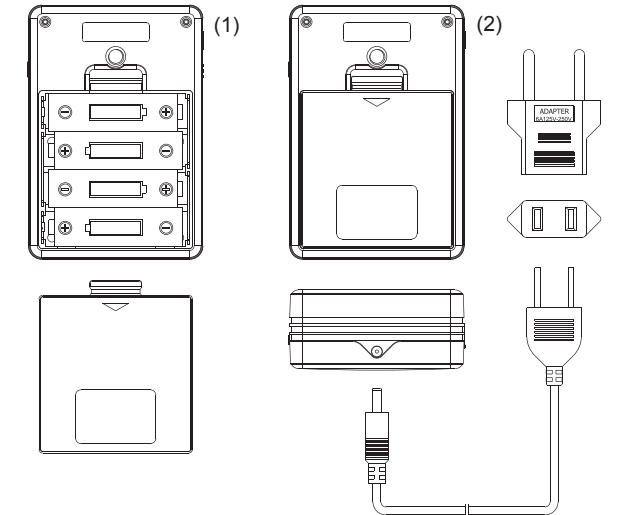
2. Package Content



- (1).PIR Sensor
- (2).PIR Sensor Cable
- (3).Power Plug Adaptor
- (4).AC/DC Power Adaptor
- (5).Memory Card
- (6).A/V In Cable
- (7).A/V Out Cable
- (8).AA Battery x 4pcs

3

3. Power Supply



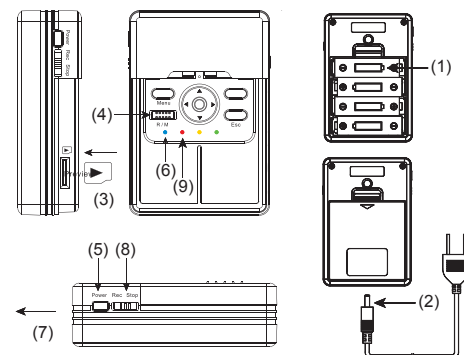
- Two ways to power supply the unit,
- (1).Insert 4 pieces AA battery to power the device.
- (2).Connect the supplied AC/DC power adaptor to the device.

※ Note

With batteries inserted to the unit then connect the AC/DC power adaptor to the device, the AC/DC power adaptor serves as primary power source and batteries serves as secondary power source.

4

4.1 Video Recording



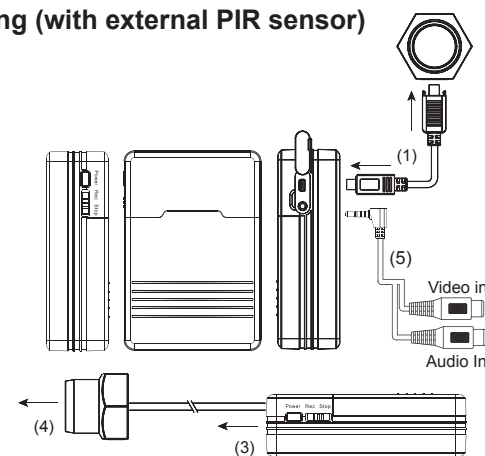
Operation

- 1.Select the method of power supply.
(1)Battery or(2)Power Adaptor
- 2.Follow the illustration (3) to insert the memory card.
- 3.Select the recording mode (4)
R: Continuous recording M: Motion detection
※ It is suggested to select motion detection when the unit is connected to the AC/DC power adaptor.
- 4.Press the power on button (5), the blue LED (6) turns on.
- 5.Place the camera direction (7) then switch to Rec (8)
The red LED (9) turns on.
- 6.To stop recording, switch to Stop (8)

※ Do not remove the batteries or disconnect the power adaptor from unit during recording. It might damage the recording files.

5

4.2 Video Recording (with external PIR sensor)



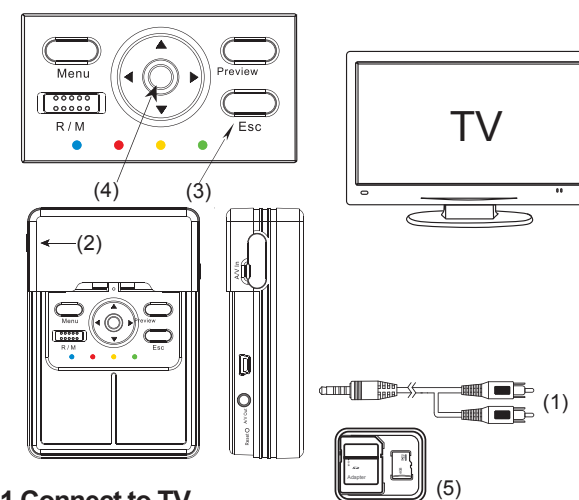
Operation

- 1.Follow the illustration to connect the PIR sensor (1) to DVR
- 2.When PIR sensor is connected to the unit, once the sensor is triggered (by change of temperature), DVR will start recording immediately.
- 3.The recording time is 5 seconds, if no temperature change is detected, the system resumes to standby mode.
- 4.Be sure to aim the PIR sensor (4) and the cam (3) at the direction of preferred monitoring area.
- 5.Except the built-in cam, you can also connect the unit to an external camera.

※ When PIR sensor is connected to the unit, all pre-set recording mode will be disabled and automatically switch to PIR recording mode.

6

5. Connect to TV / Video Playback / Retrieving files



5.1 Connect to TV

Connect the A/V out cable(1) to DVR and TV or monit or then power on DVR(2) Use the navigation key(4) to edit settings.

5.2 Video Playback

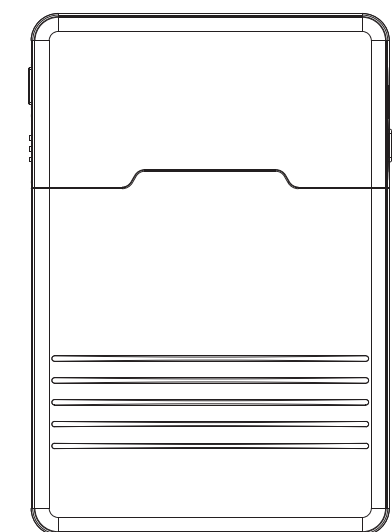
- 1.Connect A/V out cable (1) to DVR and TV or monitor and then power on DVR(2)
- 2.While playing back videos, use navigation key(4) to
Right / Left : control the volume
Up / Down : switch the files
- 3.To escape, press the Esc button(3)

5.3 Retrieving files

Insert the memory card(5) to a card reader and connect to a PC to retrieve files.

7

PV-BX12 1080p Black Box DVR Quick Guide



LawMate, innovation never stops

LawMate®